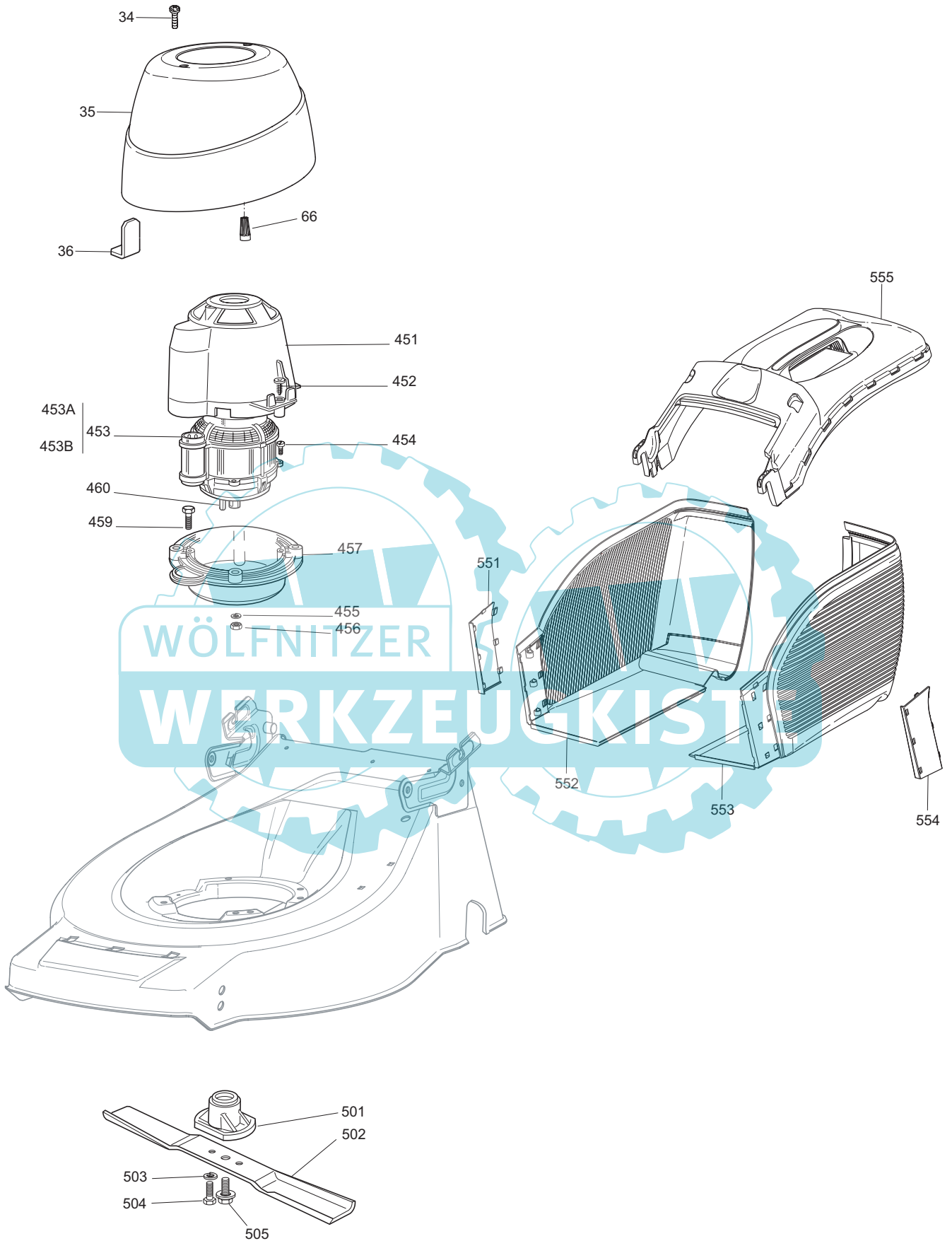






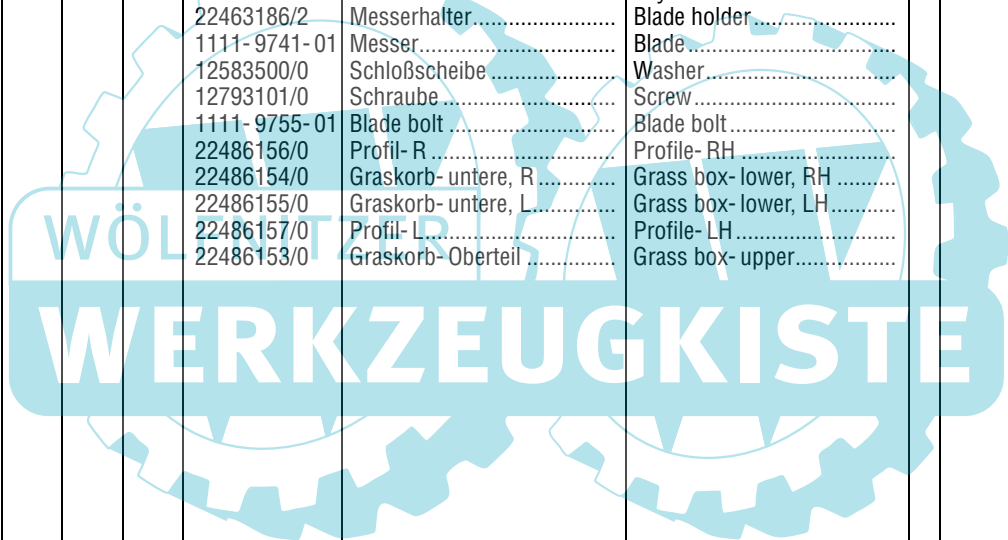
| Ausgabe Issue 2008- 52 | | Bild Nr Picture No B108 | | VARIOLUX 48 EC CHASSIE HOLM | | VARIOLUX 48 EC CHASSIS HANDLE | | Seite Page 24 | |
|------------------------------|-----------------|-------------------------------|--|-----------------------------------|------------------------|-------------------------------------|---------------------------|---------------------|--------------------|
| Pos. Fig. | Anzahl/Quantity | | | | Artikel Nr. Part No | Bezeichnung | Description | Satz Kit | Anmerkung Notes |
| | | | | | | | | | |
| 1 | 1 | | | | 81002706/0 | Chassie..... | Chassis | | |
| 2 | 3 | | | | 12728530/0 | Schraube | Screw | | |
| 3 | 1 | | | | 22060198/0 | Riemenschutz..... | Belt protection..... | | |
| 6 | 1 | | | | 22291150/0 | Gummiensatz..... | Rubber insert | | |
| 7 | 1 | | | | 22109715/0 | Haube | Cover | | |
| 8 | 2 | | | | 12728688/0 | Schraube | Screw | | |
| 9 | 3 | | | | 12731600/1 | Schraube | Screw | | |
| 10 | 2 | | | | 12604899/0 | Schloßscheibe | Lock washer | | |
| 11 | 1 | | | | 22517859/0 | Stange | Rod | | |
| 12 | 1 | | | | 22450421/0 | Feder- L | Spring- LH..... | | |
| 13 | 1 | | | | 22450422/0 | Feder- R | Spring- RH | | |
| 14 | 1 | | | | 22109719/0 | Halter..... | Support | | |
| 15 | 1 | | | | 22600133/0 | Prallblech..... | Stone guard | | |
| 16 | 2 | | | | 18566110/0 | Propfen..... | Cap..... | | |
| 17 | 1 | | | | 81006649/0 | Holm- Unterteil | Handle- lower | | |
| 18 | 2 | | | | 81006659/0 | Holmrohr | Handle tube | | |
| 19 | 1 | | | | 81006657/0 | Holm- Oberteil | Handle- upper | | |
| 20 | 1 | | | | 122291058/1 | Handgriff | Handgrip | | |
| 21 | 2 | | | | 22524334/0 | Bolzen..... | Pin | | |
| 22 | 2 | | | | 12604899/0 | Schloßscheibe | Lock washer | | |
| 23 | 4 | | | | 81003250/0 | Sperrhebel..... | Handle block lever | | |
| 24 | 4 | | | | 22680011/0 | Scheibe..... | Washer | | |
| 25 | 4 | | | | 25670011/0 | Scheibe..... | Washer | | |
| 26 | 4 | | | | 22399816/0 | Schloßrad | Locking knob | | |
| 27 | 4 | | | | 12293200/0 | Mutter..... | Nut | | |
| 28 | 2 | | | | 22820066/1 | Propfen..... | Cap..... | | |
| 29 | 2 | | | | 22245061/0 | Ringmutter- innere..... | Ring nut- internal | | |
| 30 | 2 | | | | 22245060/0 | Ringmutter- äußere..... | Ring nut- external..... | | |
| 31 | 2 | | | | 12728701/0 | Schraube | Screw | | |
| 32 | 1 | | | | 22393613/0 | Holmdeckel- untere..... | Handle cover- lower | | |
| 33 | 1 | | | | 22393612/0 | Holmdeckel- obere..... | Handle cover- upper | | |
| 37 | 2 | | | | 12728703/0 | Schraube | Screw | | |
| 38 | 1 | | | | 81600507/0 | Schalter | Dead hand switch..... | | |
| 38 | 1 | | | | 81600508/0 | Schalter | Dead hand switch..... | | die Schweiz |
| 39 | 1 | | | | 22283008/0 | Stütz | Support | | |
| 40 | 1 | | | | 22195101/4 | Zugentlaster..... | Fairlead | | |
| 41 | 2 | | | | 22192000/1 | Kabelhalter..... | Anchor clamp..... | | |
| 51 | 4 | | | | 12728701/0 | Schraube | Screw | | |
| 58 | 3 | | | | 22109538/0 | Deckel | Cap..... | | |
| 64 | 1 | | | | 22283007/0 | Schutz | Protection | | |
| 65 | 1 | | | | 22283005/0 | Schutz | Protection | | |
| 67 | 1 | | | | 22192151/0 | Kabelhalter..... | Anchor clamp..... | | |
| 231 | 1 | | | | 22140223/0 | Mulch Deflektor | Mulch plug..... | | |

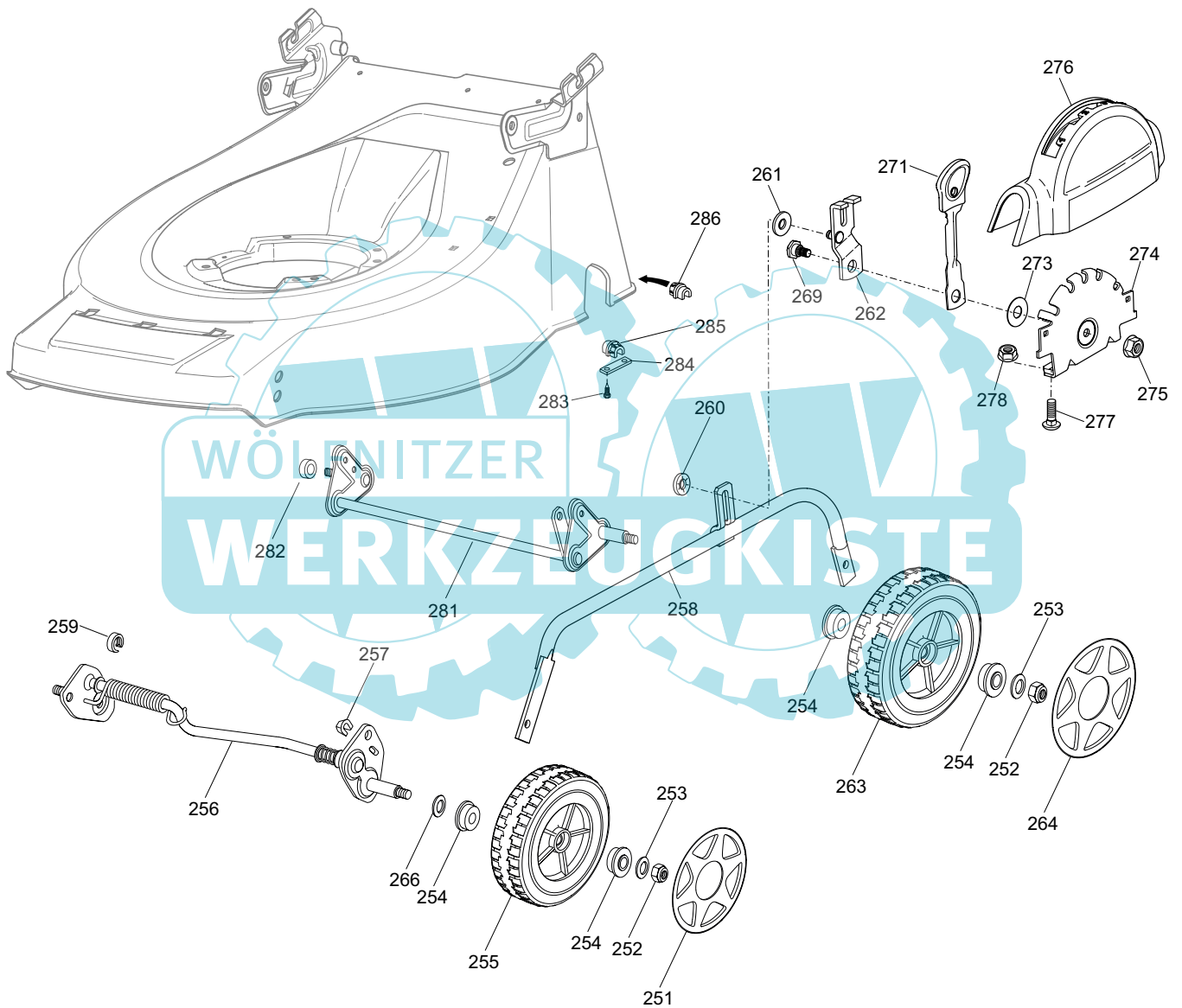


B110A



| Ausgabe Issue | | Bild Nr Picture No | | VARIOLUX 48 EC MOTOR | VARIOLUX 48 EC MOTOR | Seite Page | | |
|------------------|-----------------|-----------------------|--|-------------------------|---------------------------|----------------------------|-------------|--------------------|
| 2008- 52 | | B110A | | | | 26 | | |
| Pos. Fig. | Anzahl/Quantity | | | Artikel Nr. Part No | Bezeichnung | Description | Satz Kit | Anmerkung Notes |
| | | | | | | | | |
| 34 | 2 | | | 12728720/0 | Schraube | Screw | | |
| 35 | 1 | | | 22055099/0 | Haube | Motor cover | | |
| 36 | 2 | | | 22557154/0 | Platte | Plate | | |
| 66 | 2 | | | 22170625/0 | Distanz | Spacer | | |
| 451 | 1 | | | 22785061/0 | Haubenhalter | Cover support | | |
| 452 | 4 | | | 12728710/0 | Schraube | Screw | | |
| 453 | 1 | | | 18563605/0 | El. Motor | El. motor | | Inkl. 453A - 453B |
| 453 A | 1 | | | 18740054/0 | • Lüfter | • Fan | | |
| 453 B | 1 | | | 18222045/0 | • Kondensator | • Capacitor | | 16 uF |
| 454 | 4 | | | 12735410/0 | Schraube | Screw | | |
| 455 | 4 | | | 12583500/0 | Schloßscheibe | Washer | | |
| 456 | 4 | | | 12293200/0 | Mutter | Nut | | |
| 457 | 1 | | | 22207216/0 | Flansch | Flange | | |
| 459 | 4 | | | 12793700/0 | Schraube | Screw | | |
| 460 | 1 | | | 12139440/0 | Keil | Key | | |
| 501 | 1 | | | 22463186/2 | Messerhalter | Blade holder | | |
| 502 | 1 | | | 1111-9741-01 | Messer | Blade | | |
| 503 | 2 | | | 12583500/0 | Schloßscheibe | Washer | | |
| 504 | 2 | | | 12793101/0 | Schraube | Screw | | |
| 505 | 1 | | | 1111-9755-01 | Blade bolt | Blade bolt | | |
| 551 | 1 | | | 22486156/0 | Profil- R | Profile- RH | | |
| 552 | 1 | | | 22486154/0 | Graskorb- untere, R | Grass box- lower, RH | | |
| 553 | 1 | | | 22486155/0 | Graskorb- untere, L | Grass box- lower, LH | | |
| 554 | 1 | | | 22486157/0 | Profil- L | Profile- LH | | |
| 555 | 1 | | | 22486153/0 | Graskorb- Oberteil | Grass box- upper | | |







| Ausgabe Issue | | Bild Nr Picture No | | VARIOLUX 48 EC RADAUFHÄNGUNG | | VARIOLUX 48 EC WHEEL SUSPENSION | | Seite Page | |
|------------------|-----------------|-----------------------|--|---------------------------------|--------------------------|------------------------------------|-------------|---------------|--------------------|
| 2008- 52 | | B107 | | | | | | 28 | |
| Pos. Fig. | Anzahl/Quantity | | | | Artikel Nr. Part No | Bezeichnung | Description | Satz Kit | Anmerkung Notes |
| | | | | | | | | | |
| 251 | 2 | | | 22110409/0 | Radkappe..... | Hub cap..... | | | |
| 252 | 4 | | | 12155000/0 | Mutter..... | Nut..... | | | |
| 253 | 4 | | | 12521350/0 | Scheibe..... | Washer..... | | | |
| 254 | 8 | | | 22122200/0 | Kugellager..... | Ball bearing..... | | | |
| 255 | 2 | | | 81007351/0 | Rad..... | Wheel..... | | | |
| 256 | 1 | | | 81000141/1 | Radachse- vorne..... | Wheel axle- front..... | | | |
| 257 | 2 | | | 12436050/0 | Platte..... | Plate..... | | | |
| 258 | 1 | | | 81006491/0 | Höhenverstellstange..... | Height adjust rod..... | | | |
| 259 | 1 | | | 22171002/0 | Distanz..... | Spacer..... | | | |
| 260 | 1 | | | 12604896/0 | Schloßscheibe..... | Lock washer..... | | | |
| 261 | 1 | | | 12369500/0 | Scheibe..... | Washer..... | | | |
| 262 | 1 | | | 81005121/0 | Halter..... | Attachment..... | | | |
| 263 | 2 | | | 81007343/0 | Rad..... | Wheel..... | | | |
| 264 | 2 | | | 22110410/0 | Radkappe..... | Hub cap..... | | | |
| 266 | 4 | | | 12530150/0 | Scheibe..... | Washer..... | | | |
| 269 | 1 | | | 22524333/0 | Bolzen..... | Bolt..... | | | |
| 271 | 1 | | | 81003321/0 | Höhenverstellhebel..... | Height adjust lever..... | | | |
| 273 | 1 | | | 22672152/0 | Scheibe..... | Washer..... | | | |
| 274 | 1 | | | 22735571/1 | Höhenverstellsektor..... | Height adjust sector..... | | | |
| 275 | 1 | | | 12154210/0 | Mutter..... | Nut..... | | | |
| 276 | 1 | | | 22109714/0 | Deckel..... | Cover..... | | | |
| 277 | 2 | | | 12815200/0 | Schraube..... | Screw..... | | | |
| 278 | 2 | | | 12292102/0 | Mutter..... | Nut..... | | | |
| 281 | 1 | | | 81001278/0 | Radachse- hinten..... | Wheel axle- rear..... | | | |
| 282 | 1 | | | 22170800/0 | Distanz..... | Spacer..... | | | |
| 283 | 4 | | | 12731350/0 | Schraube..... | Screw..... | | | |
| 284 | 2 | | | 22545142/0 | Platte..... | Plate..... | | | |
| 285 | 1 | | | 22038403/0 | Buchse- L..... | Bushing- LH..... | | | |
| 286 | 1 | | | 22038402/0 | Buchse- R..... | Bushing- RH..... | | | |